

# T8 Economy LED Tube Series

## S806

### Performance Parameters

Luminance Efficacy: Frosted Cover:100lm/W  
Clear Cover:110lm/W  
LED Type: 2835 LED,Epistar  
Input Voltage: AC200-240V  
CCT:2800~3300K; 3800~4300K; 5800~6400K  
CRI:>80  
PF:>0.9  
Beam Angle:140°  
Lifespan: 30,000hours  
Driver Type: Internal Driver  
Working Temperature: -20℃-48℃



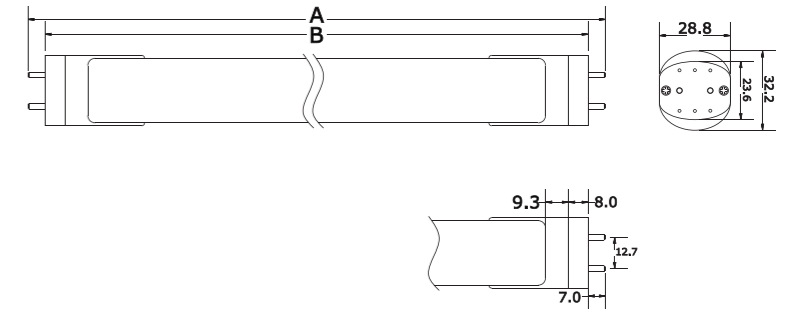
### Product Model

Model No.	Length	Color Temp*	Power	Lumen(lm)	LED Qty	Size(mm)	Carton Size(cm)	N/W	GW/25PCS
DGA00-60WT-G8-L	2ft	6000K	9W	900	60pcs	Φ26*L588	L66*W22*H22	195g	7.82kg
DGA00-60LT-G8-L	2ft	4000K	9W	900	60pcs	Φ26*L588	L66*W22*H22	195g	7.82kg
DGA00-60NT-G8-L	2ft	3000K	9W	900	60pcs	Φ26*L588	L66*W22*H22	195g	7.82kg
DGA00-80WT-G8-L	3ft	6000K	13W	1300	80pcs	Φ26*L892	L125*W22*H22	310g	12.7kg
DGA00-80LT-G8-L	3ft	4000K	13W	1300	80pcs	Φ26*L892	L125*W22*H22	310g	12.7kg
DGA00-80NT-G8-L	3ft	3000K	13W	1300	80pcs	Φ26*L892	L125*W22*H22	310g	12.7kg
DGA00-120WT-G8-L	4ft	6000K	18W	1800	120pcs	Φ26*L1198	L125*W22*H22	322g	13.0kg
DGA00-120LT-G8-L	4ft	4000K	18W	1800	120pcs	Φ26*L1198	L125*W22*H22	322g	13.0kg
DGA00-120NT-G8-L	4ft	3000K	18W	1800	120pcs	Φ26*L1198	L125*W22*H22	322g	13.0kg
DGA00-120WT-G8-L	4ft	6000K	21W	2100	120pcs	Φ26*L1198	L125*W22*H22	322g	13.0kg
DGA00-120LT-G8-L	4ft	4000K	21W	2100	120pcs	Φ26*L1198	L125*W22*H22	322g	13.0kg
DGA00-120NT-G8-L	4ft	3000K	21W	2100	120pcs	Φ26*L1198	L125*W22*H22	322g	13.0kg
DGA00-150WT-G8-L	5ft	6000K	25W	2500	150pcs	Φ26*L1498	L156*W22*H22	386g	15.8kg
DGA00-150LT-G8-L	5ft	4000K	25W	2500	150pcs	Φ26*L1498	L156*W22*H22	386g	15.8kg
DGA00-150NT-G8-L	5ft	3000K	25W	2500	150pcs	Φ26*L1498	L156*W22*H22	386g	15.8kg

### Drawing of Products



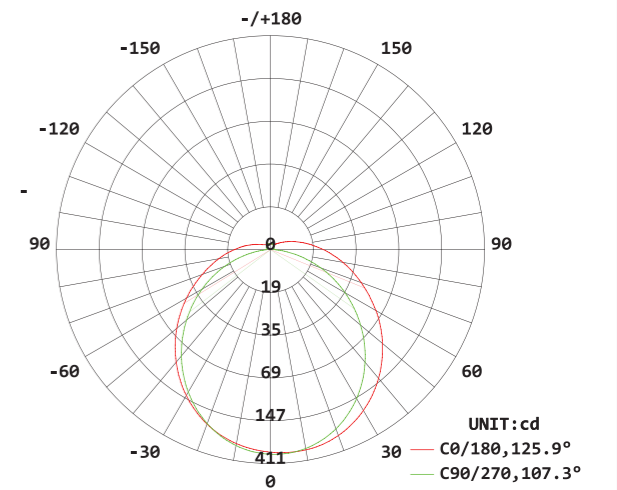
	2feet 588 Dimension	3feet 892 Dimension	4feet 1198 Dimension	5feet 1498 Dimension
A:	602	906	1213	1513
B:	588	892	1198	1498



### Product Features

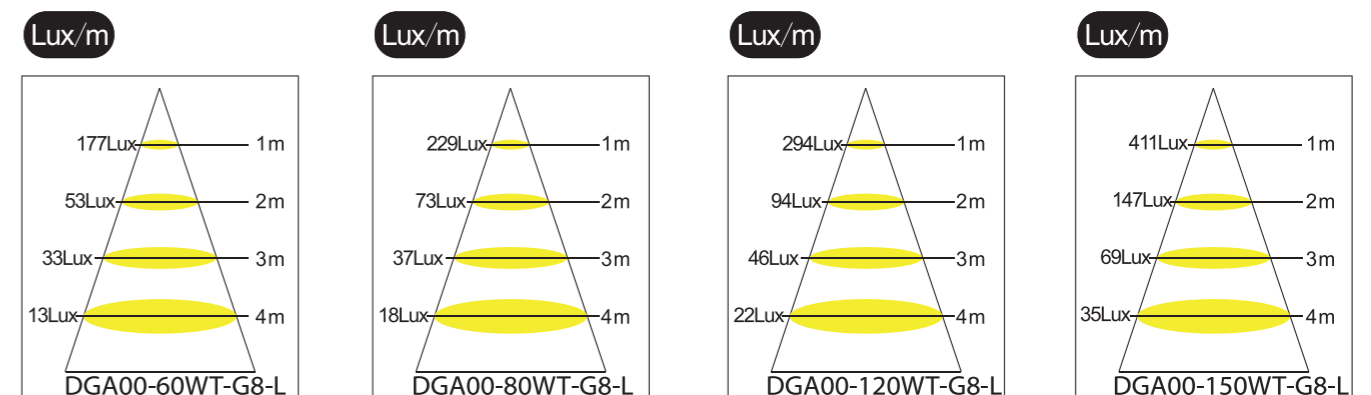
- Pretty and elegant appearance,G13 fixed or rotating end cap is available.
- ODM service available,Laser print customer LOGO and customer exclusive lable.
- 6063 Aluminum shell,Japan PC cover,long lifespan.
- Professional design of optics,no shadow,no light spot.
- Mainly used in factory,supermarket,carpark,hospital and school.

### LUMINOUS INTENSITY DISTRIBUTION DIAGRAM



AVERAGE BEAM ANGLE(50%):146.8 DEG  
SL-DGA00-150WT-G8-L

### Illumination Distribution Drawing



# T8 LED Tube Series

## S803H

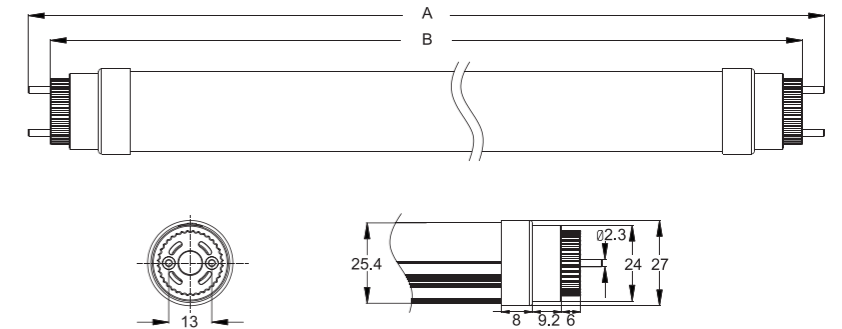
### Performance Parameters

Luminance Efficacy: Frosted Cover:130lm/W  
Clear Cover:140lm/W  
LED Type: 2835 LED,Epistar  
Input Voltage: AC100-240V  
CCT:2800~3300K; 3800~4300K; 5800~6400K  
CRI:>80  
PF:>0.95  
Beam Angle:140°  
Lifespan: 50,000hours  
Driver Type: Internal Driver  
Working Temperature: -20℃-48℃



### Drawing of Products

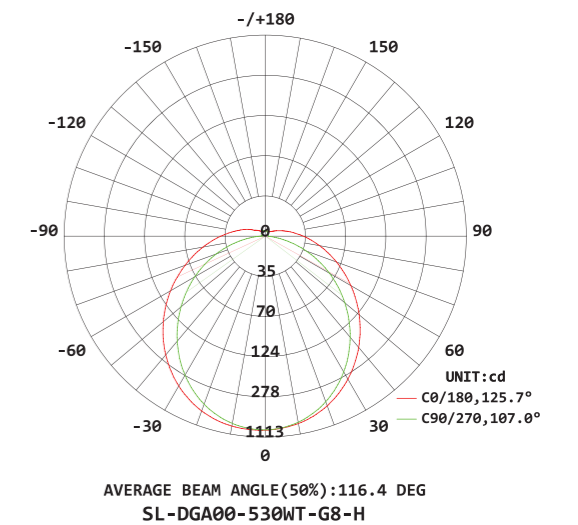
	2feet 588 Dimension	3feet 892 Dimension	4feet 1198 Dimension	5feet 1498 Dimension
A:	602	906	1213	1513
B:	588	892	1198	1498



### Product Features

- Pretty and elegant appearance,G13 fixed or rotating end cap is available.
- Colorful metal rings available,Blue,Green,Silver,Red and Gold.
- ODM service available,Laser print customer LOGO and customer exclusive lable.
- 6063 Aluminum shell,Japan PC cover,long lifespan.
- Professional design of optics,no shadow,no light spot.
- Mainly used in factory,supermarket,carpark,hospital and school.

### LUMINOUS INTENSITY DISTRIBUTION DIAGRAM

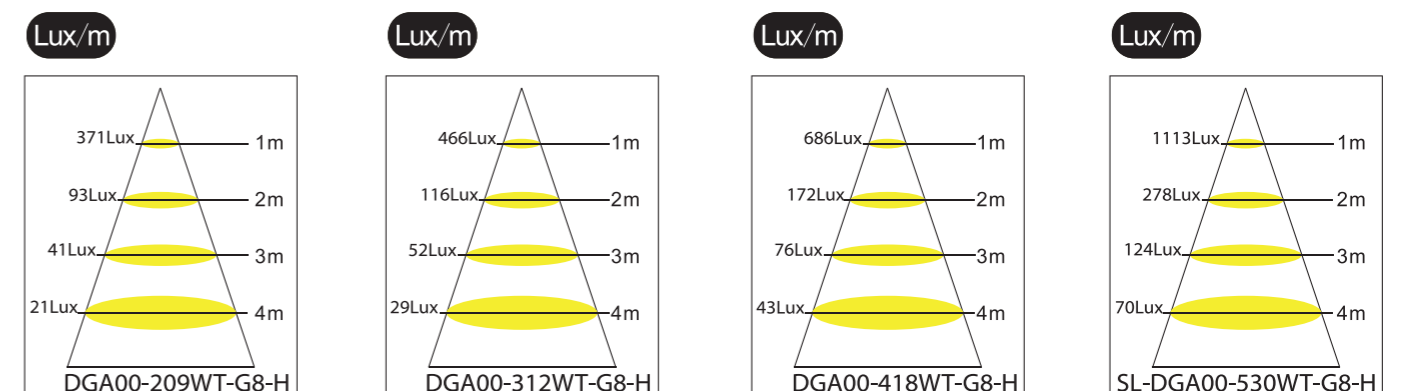


### Product Model

Model No.	Length	Power	Lumen(lm)	LED Qty	Size(mm)	Carton Size(cm)	N/W	GW/25PCS
DGA00-209WT-G8-H	2ft	9W	1170	72pcs	Φ26*L588	L66*W22*H22	150g	6.7kg
DGA00-312WT-G8-H	3ft	12W	1560	96pcs	Φ26*L892	L95*W22*H22	200g	10.6kg
DGA00-418WT-G8-H	4ft	18W	2340	144pcs	Φ26*L1198	L125*W22*H22	305g	12.9kg
DGA00-420WT-G8-H	4ft	20W	2600	144pcs	Φ26*L1198	L125*W22*H22	305g	12.9kg
DGA00-522WT-G8-H	5ft	22W	2860	192pcs	Φ26*L1498	L156*W22*H22	335g	14.9kg
DGA00-525WT-G8-H	5ft	25W	3250	192pcs	Φ26*L1498	L156*W22*H22	335g	14.9kg
DGA00-530WT-G8-H	5ft	30W	3750	216pcs	Φ26*L1498	L156*W22*H22	339g	15.0kg

\*Remarks: 3000K,4000K available,Only change "W" to "N"/"L" in Model No.

### Illumination Distribution Drawing



# T8 LED Tube Series

## S803T

### Performance Parameters

Luminance Efficacy: Frosted Cover:160lm/W

Clear Cover:170lm/W

LED Type: 2835 LED,Epistar

Input Voltage: AC100-240V

CCT:2800~3300K; 3800~4300K; 5800~6400K

CRI:>80

PF:>0.95

Beam Angle:140°

Lifespan: 50,000hours

Driver Type: Internal Driver

Working Temperature: -20℃-48℃



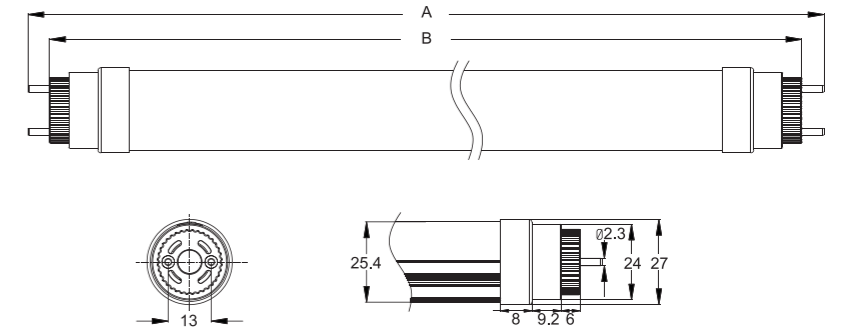
### Product Model

Model No.	Length	Power	Lumen(lm)	LED Qty	Size(mm)	Carton Size(cm)	N/W	GW/25PCS
DGA00-206WT-G8-T	2ft	6W	960	72pcs	Φ26*L588	L66*W22*H22	150g	6.7kg
DGA00-209WT-G8-T	2ft	9W	1440	72pcs	Φ26*L588	L66*W22*H22	150g	6.7kg
DGA00-312WT-G8-T	3ft	12W	1920	96pcs	Φ26*L892	L95*W22*H22	200g	10.6kg
DGA00-412WT-G8-T	4ft	12W	1920	144pcs	Φ26*L1198	L125*W22*H22	200g	10.6kg
DGA00-418WT-G8-T	4ft	18W	2880	144pcs	Φ26*L1198	L125*W22*H22	305g	12.9kg
DGA00-420WT-G8-T	4ft	20W	3200	144pcs	Φ26*L1198	L125*W22*H22	305g	12.9kg
DGA00-520WT-G8-T	5ft	20W	3200	192pcs	Φ26*L1498	L156*W22*H22	335g	14.9kg
DGA00-525WT-G8-T	5ft	25W	4000	192pcs	Φ26*L1498	L156*W22*H22	335g	14.9kg
DGA00-530WT-G8-T	5ft	30W	4650	216pcs	Φ26*L1498	L156*W22*H22	339g	15.0kg

\*Remarks: 3000K,4000K available,Only change "W" to "N"/"L" in Model No.

### Drawing of Products

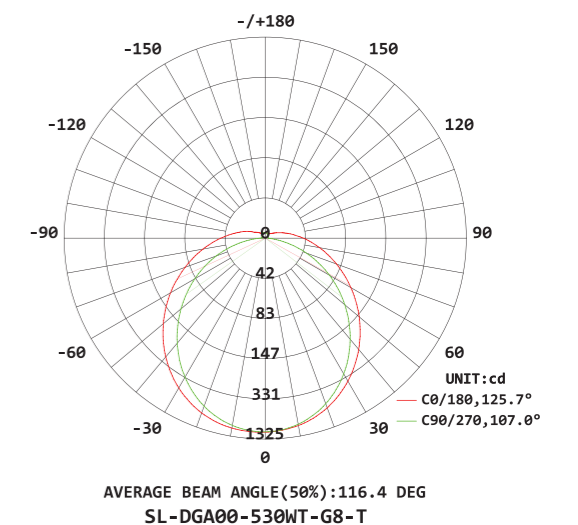
	2feet	3feet	4feet	5feet
588 Dimension	588	892	1198	1498
A:	602	906	1213	1513
B:	588	892	1198	1498



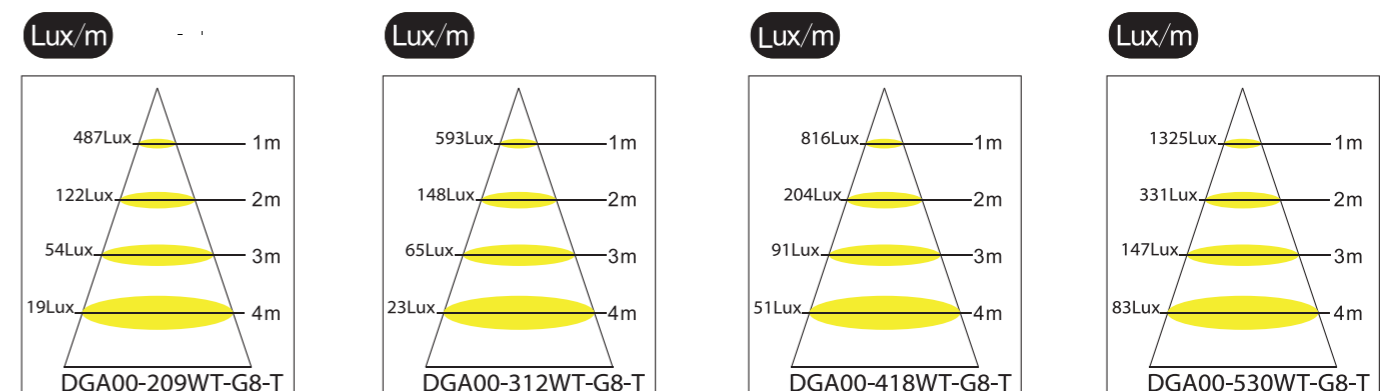
### Product Features

- Pretty and elegant appearance,G13 fixed or rotating end cap is available.
- Colorful metal rings available,Blue,Green,Silver,Red and Gold.
- ODM service available,Laser print customer LOGO and customer exclusive lable.
- 6063 Aluminum shell,Japan PC cover,long lifespan.
- Professional design of optics,no shadow,no light spot.
- Mainly used in factory,supermarket,carpark,hospital and school.

### LUMINOUS INTENSITY DISTRIBUTION DIAGRAM



### Illumination Distribution Drawing



# T8 LED Tube Series

## S803T Plus

### Performance Parameters

Luminance Efficacy: Frosted Cover:175lm/W

Clear Cover:180lm/W

LED Type: 2835 LED,Epistar

Input Voltage: AC100-240V

CCT:2800~3300K; 3800~4300K; 5800~6400K

CRI:>80

PF:>0.95

Beam Angle:140°

Lifespan: 50,000hours

Driver Type: Internal Driver

Working Temperature: -20℃-48℃



### Product Model

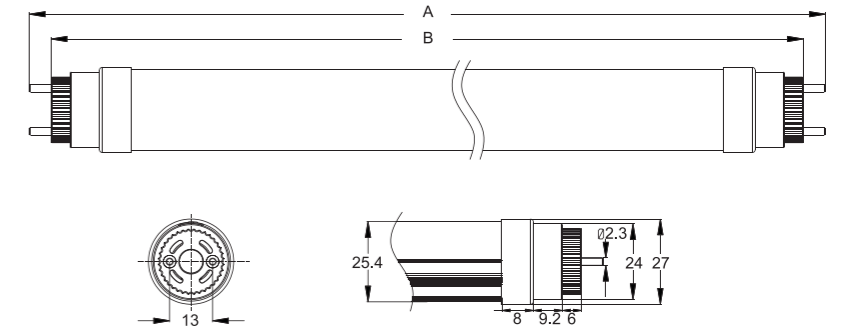
Model No.	Length	Power	Lumen(lm)	LED Qty	Size(mm)	Carton Size(cm)	N/W	GW/25PCS
DGA00-209WT-G8-T	2ft	9W	1575	84pcs	Φ26*L588	L66*W22*H22	150g	6.7kg
DGA00-312WT-G8-T	3ft	12W	2100	96pcs	Φ26*L892	L95*W22*H22	200g	10.6kg
DGA00-412WT-G8-T	4ft	12W	2100	160pcs	Φ26*L1198	L125*W22*H22	305g	12.9kg
DGA00-418WT-G8-T	4ft	18W	3150	160pcs	Φ26*L1198	L125*W22*H22	305g	12.9kg
DGA00-420WT-G8-T	4ft	20W	3500	160pcs	Φ26*L1198	L125*W22*H22	305g	12.9kg
DGA00-520WT-G8-T	5ft	20W	3500	192pcs	Φ26*L1498	L156*W22*H22	335g	14.9kg
DGA00-525WT-G8-T	5ft	25W	4375	192pcs	Φ26*L1498	L156*W22*H22	335g	14.9kg
DGA00-530WT-G8-T	5ft	30W	5200	224pcs	Φ26*L1498	L156*W22*H22	339g	15.0kg

\*Remarks: 3000K,4000K available,Only change "W" to "N","L" in Model No.



### Drawing of Products

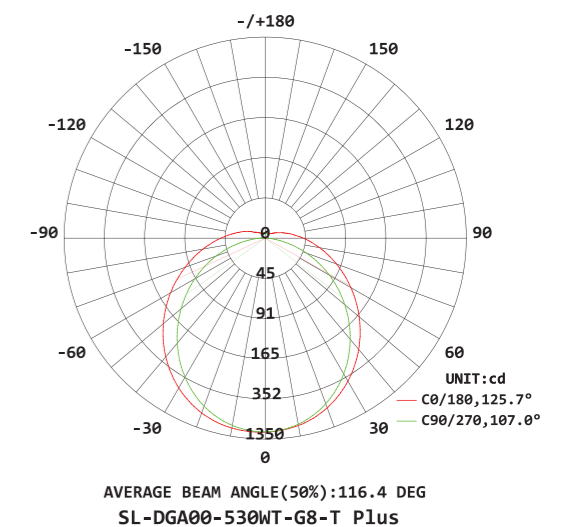
	2feet 588 Dimension	3feet 892 Dimension	4feet 1198 Dimension	5feet 1498 Dimension
A:	602	906	1213	1513
B:	588	892	1198	1498



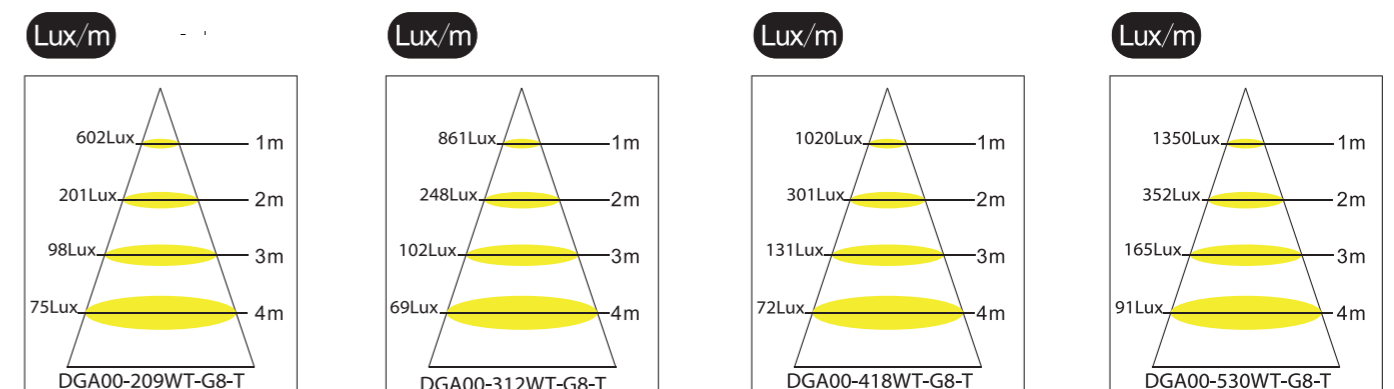
### Product Features

- Pretty and elegant appearance,G13 fixed or rotating end cap is available.
- Colorful metal rings available,Blue,Green,Silver,Red and Gold.
- ODM service available,Laser print customer LOGO and customer exclusive lable.
- 6063 Aluminum shell,Japan PC cover,long lifespan.
- Professional design of optics,no shadow,no light spot.
- Mainly used in factory,supermarket,carpark,hospital and school.

### LUMINOUS INTENSITY DISTRIBUTION DIAGRAM



### Illumination Distribution Drawing



# T5 LED Tube Series

## S501H

### Performance Parameters

Luminance Efficacy: Frosted Cover:130lm/W  
Clear Cover:140lm/W

LED Type: 2835 LED,Epistar

Input Voltage: AC100-240V

CCT:2800~3300K; 3800~4300K; 5800~6400K

CRI:>80

PF:>0.95

Beam Angle:140°

Lifespan: 50,000hours

Driver Type: Internal Driver

Working Temperature: -20℃-48℃



### Product Model

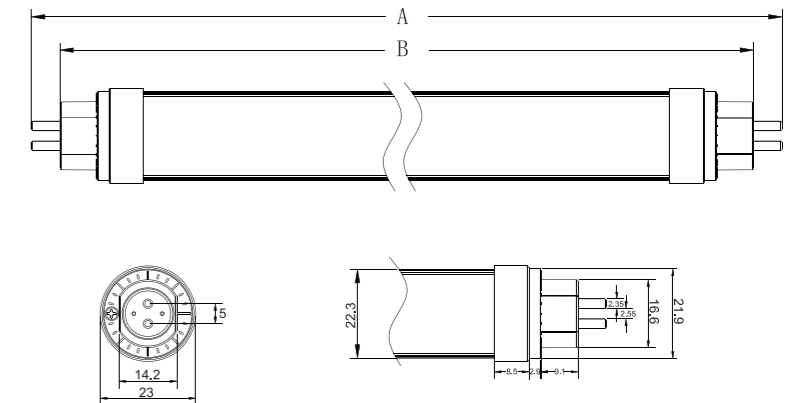
Model No.	Length	Power	Lumen(lm)	LED Qty	Size(mm)	Carton Size(cm)	N/W	GW/25PCS
DGA00-209WT-G5-H	2ft	9W	1170	72pcs	Φ22*L548	L60*W19*H12	125g	5.4kg
DGA00-312WT-G5-H	3ft	12W	1560	96pcs	Φ22*L848	L90*W19*H12	171g	7.4kg
DGA00-418WT-G5-H	4ft	18W	2340	144pcs	Φ22*L1148	L120*W19*H12	226g	10.6kg
DGA00-420WT-G5-H	4ft	20W	2600	144pcs	Φ22*L1148	L120*W19*H12	226g	10.6kg
DGA00-522WT-G5-H	5ft	22W	2860	192pcs	Φ22*L1448	L150*W19*H12	295g	12.5kg
DGA00-525WT-G5-H	5ft	25W	3250	192pcs	Φ22*L1448	L150*W19*H12	295g	12.5kg
DGA00-530WT-G5-H	5ft	30W	3750	216pcs	Φ22*L1448	L150*W19*H12	305g	12.7kg

\*Remarks: 3000K ,4000K available,Only change "W" to "N"/"L" in Model No.



### Drawing of Products

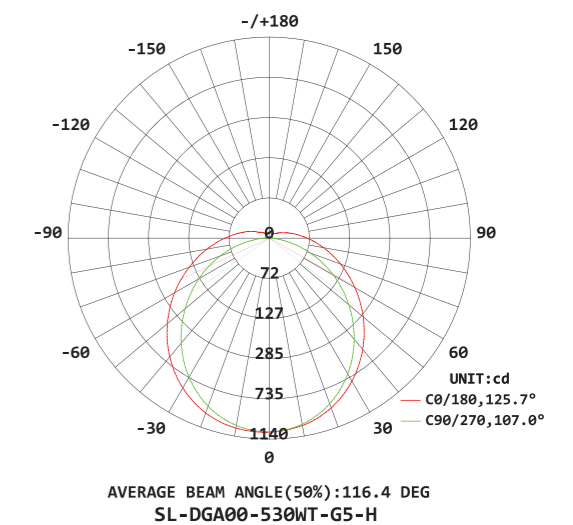
	2feet	3feet	4feet	5feet
	548 Dimension	848 Dimension	1148 Dimension	1448 Dimension
A:	562	862	1162	1462
B:	548	848	1148	1448



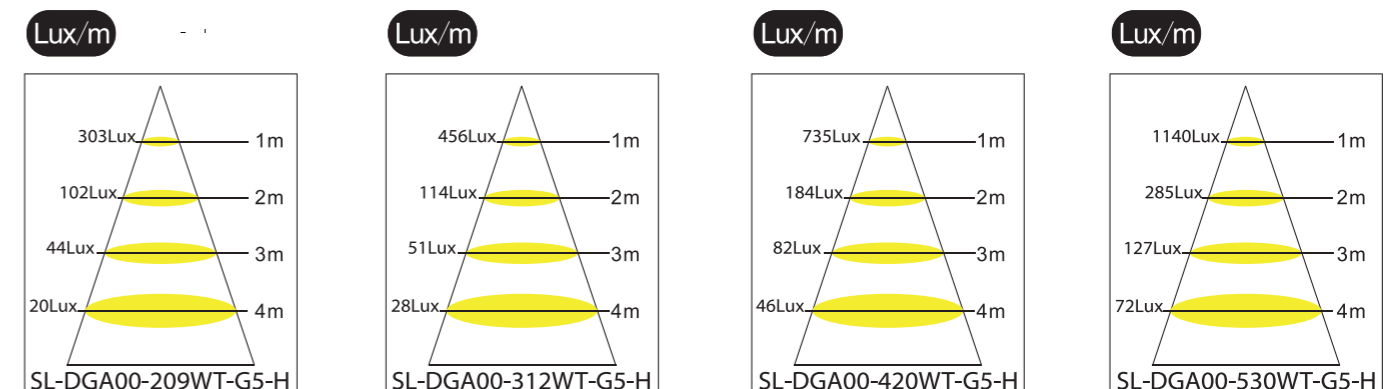
### Product Features

- Pretty and elegant appearance, patented product.
- Directly install on the existing T5 fixture.
- Colorful metal rings available,Blue,Green,Silver,Red and Gold.
- G5 fixed or rotating end cap is available.
- 6063 Aluminum shell,Japan PC cover,long lifespan.
- OEM service available, Laser print customer LOGO and customer exclusive lable.
- Mainly used in factory,supermarket,carpark,hospital and school.

### LUMINOUS INTENSITY DISTRIBUTION DIAGRAM



### Illumination Distribution Drawing



# T5 LED Tube Series

## S501T

### Performance Parameters

Luminance Efficacy: Frosted Cover:160lm/W  
Clear Cover:170lm/W  
LED Type: 2835 LED,Epistar  
Input Voltage: AC100-240V  
CCT:2800~3300K; 3800~4300K; 5800~6400K  
CRI:>80  
PF:>0.95  
Beam Angle:140°  
Lifespan: 50,000hours  
Driver Type: Internal Driver  
Working Temperature: -20℃-48℃



### Product Model

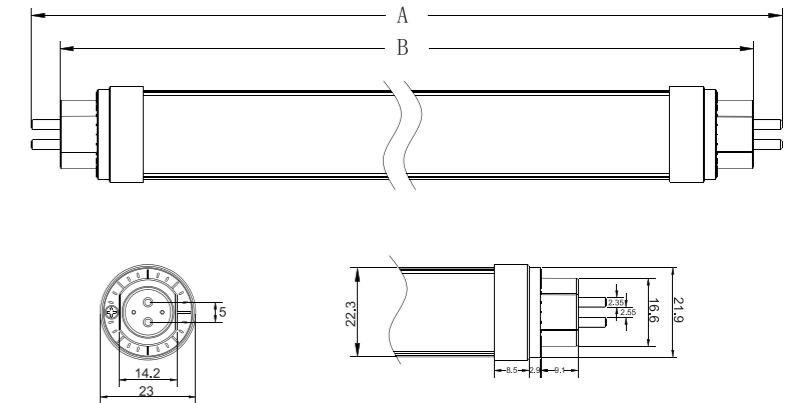
Model No.	Length	Power	Lumen(lm)	LED Qty	Size(mm)	Carton Size(cm)	N/W	GW/25PCS
-DGA00-206WT-G5-T	2ft	6W	960	72pcs	Φ22*L548	L60*W19*H12	156g	5.6kg
-DGA00-209WT-G5-T	2ft	9W	1440	72pcs	Φ22*L548	L60*W19*H12	156g	5.6kg
-DGA00-312WT-G5-T	3ft	12W	1920	96pcs	Φ22*L848	L90*W19*H12	171g	7.4kg
-DGA00-412WT-G5-T	4ft	12W	1920	144pcs	Φ22*L1148	L120*W19*H12	226g	10.6kg
-DGA00-418WT-G5-T	4ft	18W	2880	144pcs	Φ22*L1148	L120*W19*H12	226g	10.6kg
-DGA00-420WT-G5-T	4ft	20W	3200	144pcs	Φ22*L1148	L120*W19*H12	226g	10.6kg
-DGA00-520WT-G5-T	5ft	20W	3200	192pcs	Φ22*L1448	L150*W19*H12	256g	12.0kg
-DGA00-525WT-G5-T	5ft	25W	4000	192pcs	Φ22*L1448	L150*W19*H12	280g	12.2kg
-DGA00-530WT-G5-T	5ft	30W	4650	216pcs	Φ22*L1448	L150*W19*H12	305g	12.90kg

\*Remarks: The same model also can do "3000K", "4000K"; Only change W between to N,L

### Drawing of Products



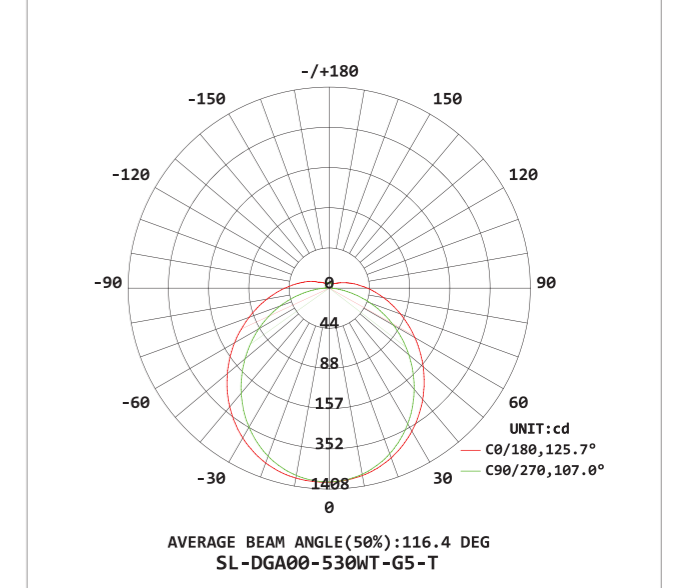
	2feet	3feet	4feet	5feet
548 Dimension	848	1148	1448	
A:	562	862	1162	1462
B:	548	848	1148	1448



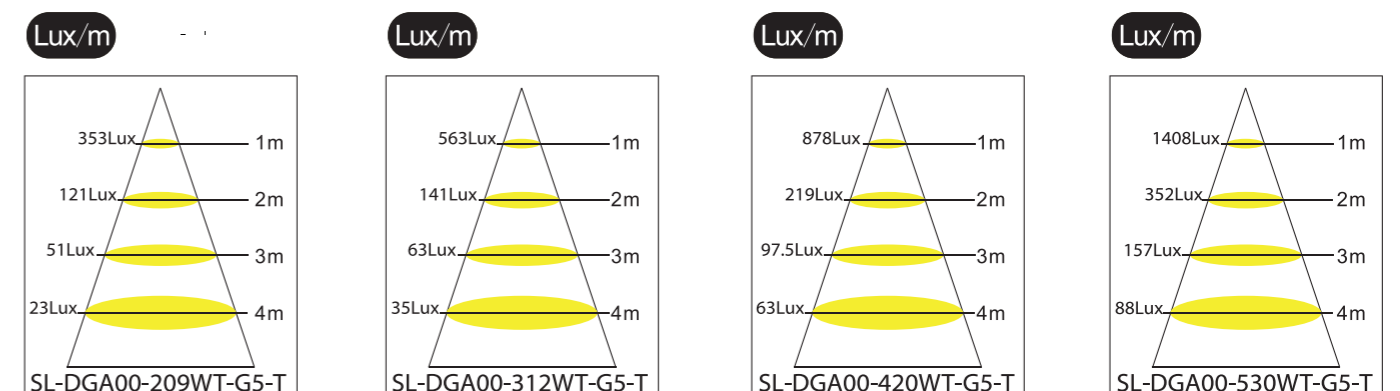
### Product Features

- Pretty and elegant appearance, patented product.
- Directly install on the existing T5 fixture.
- Colorful metal rings available, Blue, Green, Silver, Red and Gold.
- G5 fixed or rotating end cap is available.
- 6063 Aluminum shell, Japan PC cover, long lifespan.
- OEM service available, Laser print customer LOGO and customer exclusive label.
- Mainly used in factory, supermarket, carpark, hospital and school.

### LUMINOUS INTENSITY DISTRIBUTION DIAGRAM



### Illumination Distribution Drawing



# T5 LED Tube Series

## S501T Plus

### Performance Parameters

Luminance Efficacy: Frosted Cover:175lm/W  
Clear Cover:180lm/W

LED Type: 2835 LED,Epistar

Input Voltage: AC100-240V

CCT:2800~3300K; 3800~4300K; 5800~6400K

CRI:>80

PF:>0.95

Beam Angle:140°

Lifespan: 50,000hours

Driver Type: Internal Driver

Working Temperature: -20℃-48℃



### Product Model

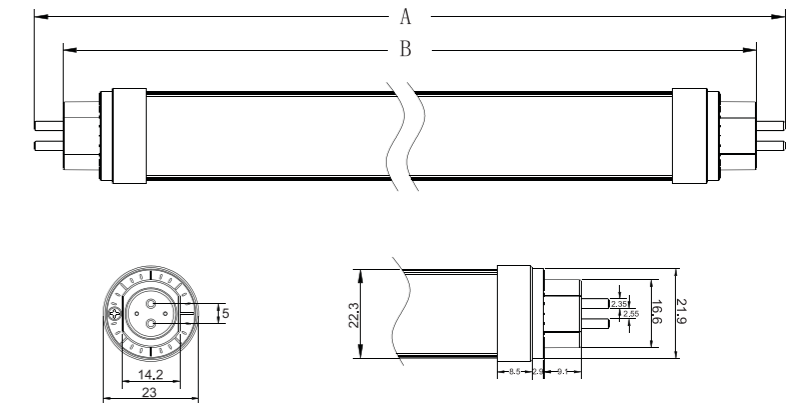
Model No.	Length	Power	Lumen(lm)	LED Qty	Size(mm)	Carton Size(cm)	N/W	GW/25PCS
DGA00-209WT-G5-T	2ft	9W	1575	72pcs	Φ22*L548	L60*W19*H12	164g	5.6kg
DGA00-312WT-G5-T	3ft	12W	2100	96pcs	Φ22*L848	L90*W19*H12	179g	7.4kg
DGA00-412WT-G5-T	4ft	12W	2100	144pcs	Φ22*L1148	L120*W19*H12	235g	11.0kg
DGA00-418WT-G5-T	4ft	18W	3150	144pcs	Φ22*L1148	L120*W19*H12	235g	11.0kg
DGA00-420WT-G5-T	4ft	20W	3500	144pcs	Φ22*L1148	L120*W19*H12	235g	11.0kg
DGA00-520WT-G5-T	5ft	20W	3500	144pcs	Φ22*L1448	L150*W19*H12	265g	12.1kg
DGA00-525WT-G5-T	5ft	25W	4375	192pcs	Φ22*L1448	L150*W19*H12	290g	12.3kg
DGA00-530WT-G5-T	5ft	30W	5200	216pcs	Φ22*L1448	L150*W19*H12	305g	12.7kg

\*Remarks: 3000K,4000K available,Only change "W" to "N"/"L" in Model No.



### Drawing of Products

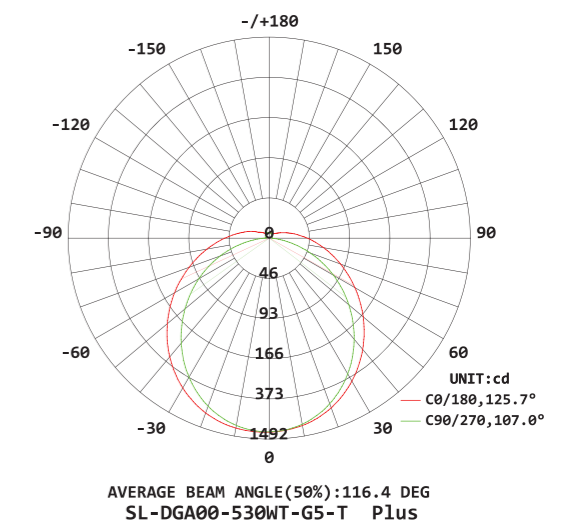
	2feet 548 Dimension	3feet 848 Dimension	4feet 1148 Dimension	5feet 1448 Dimension
A:	562	862	1162	1462
B:	548	848	1148	1448



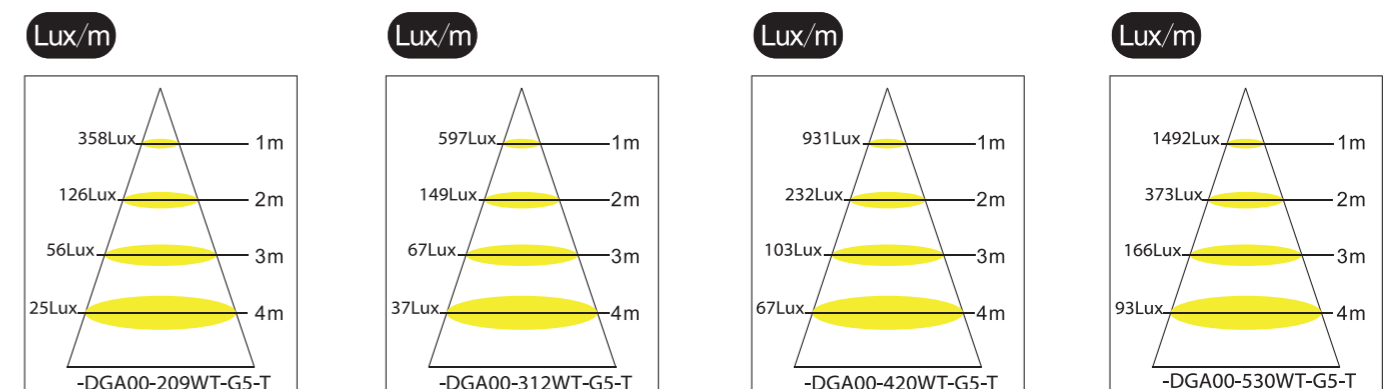
### Product Features

- Pretty and elegant appearance, patented product.
- Directly install on the existing T5 fixture.
- Colorful metal rings available,Blue,Green,Silver,Red and Gold.
- G5 fixed or rotating end cap is available.
- 6063 Aluminum shell,Japan PC cover,long lifespan.
- OEM service available, Laser print customer LOGO and customer exclusive lable.
- Mainly used in factory,supermarket,carpark,hospital and school.

### LUMINOUS INTENSITY DISTRIBUTION DIAGRAM



### Illumination Distribution Drawing



# T8 Meat Display LED Tube Series

## M901

### Performance Parameters

Luminance Efficacy: Frosted Cover:90lm/W  
Clear Cover:100lm/W  
LED Type: 3528 Red LED+3528 White LED,Epistar  
Input Voltage: AC100-240V  
CCT:2800~3300K; 3800~4300K; 5800~6400K  
CRI:>95  
PF:>0.9  
Beam Angle:130°  
Life span: 50,000hours  
LED Driver: Internal Driver  
Working Temperature: -20℃-48℃

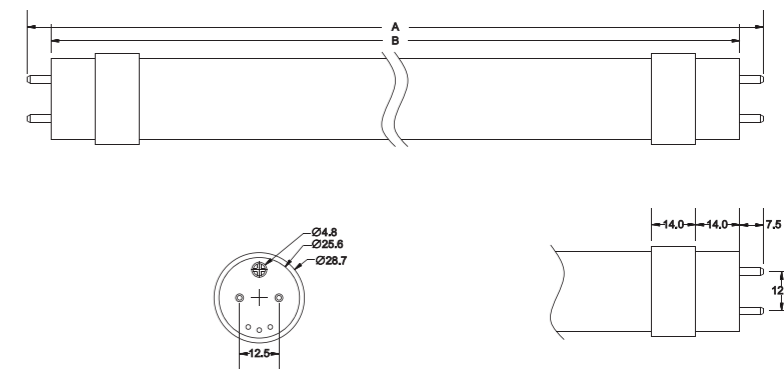


### Product Model

Model No.	Length	Color Temp*	Power	Lumen(lm)	LED Qty	Size(mm)	Carton Size(cm)	N/W	GW/25PCS
-DGA00/24-72RBT-G8	2ft	Red+White	8W	720	72pcs	Φ26*L588	L66*W22*H22	180g	9.8kg
-DGA00/24-96RBT-G8	3ft	Red+White	12W	1080	96pcs	Φ26*L892	L96*W22*H22	270g	11.0kg
-DGA00/24-192RBT-G8	4ft	Red+White	16W	1440	192pcs	Φ26*L1198	L125*W22*H22	360g	13.95kg
-DGA00/24-360RBT-G8	5ft	Red+White	22W	1980	360pcs	Φ26*L1498	L156*W22*H22	450g	17.45kg

### Drawing of Products

	2feet	3feet	4feet	5feet
588 Dimension	892	1198	1498	
A:	602	906	1213	1513
B:	588	892	1198	1498

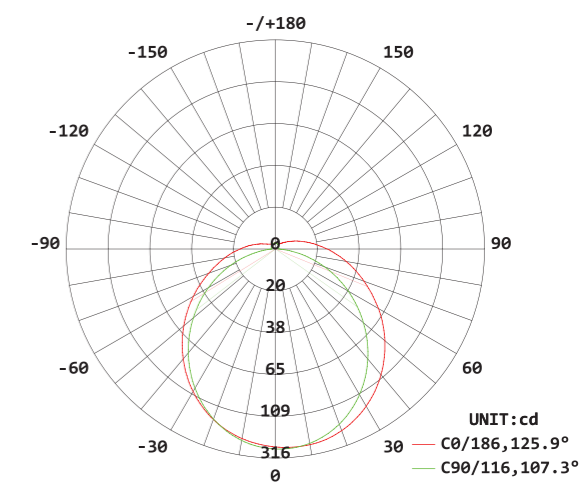


Red + White →

CRI: 95



### LUMINOUS INTENSITY DISTRIBUTION DIAGRAM



AVERAGE BEAM ANGLE(50%):118.6 DEG  
SL-DGA00/24-360RBT-G8

### Illumination Distribution Drawing

