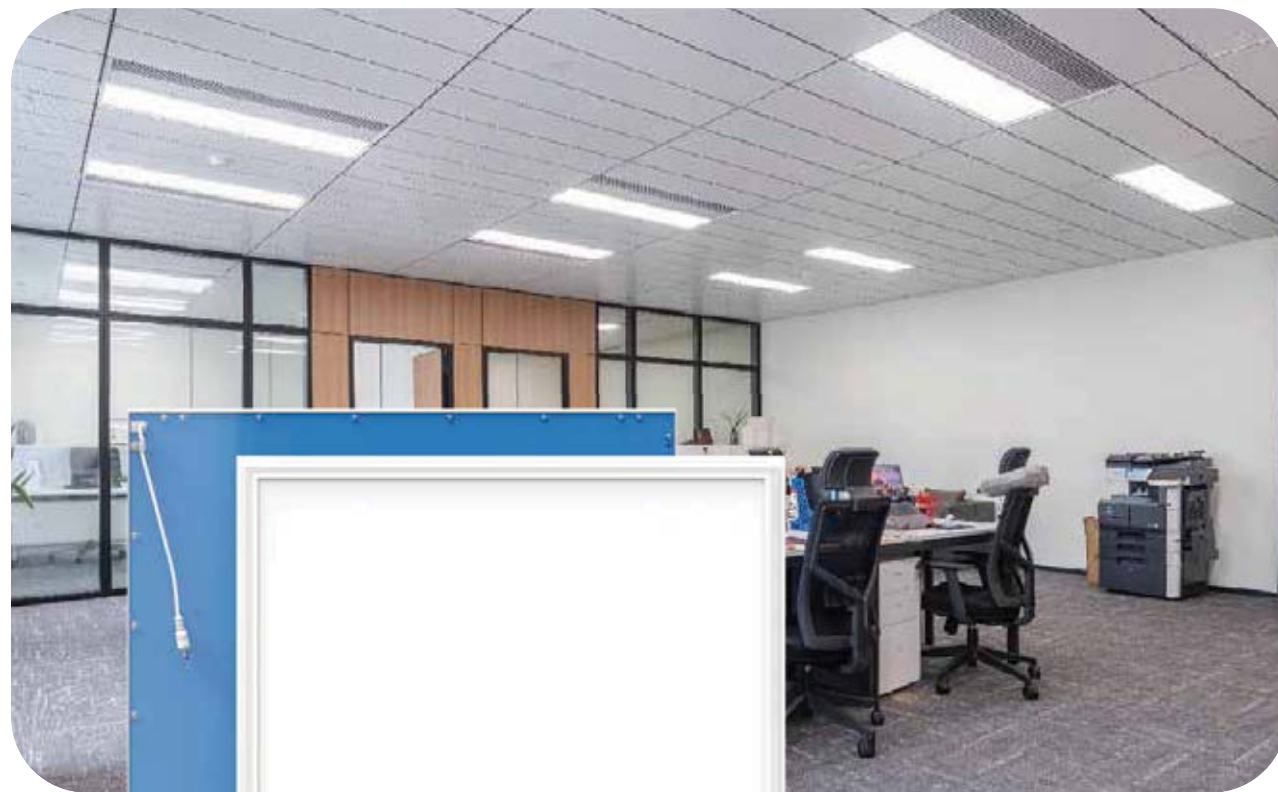


LED Sidelit Panel light



Product features and application environment

IP65 structure waterproof panel light, good structure waterproof design, aluminum profile heat dissipation design, reduce light decay, working 30,000 hours, luminous flux can still be maintained at more than 80%, beautiful design.

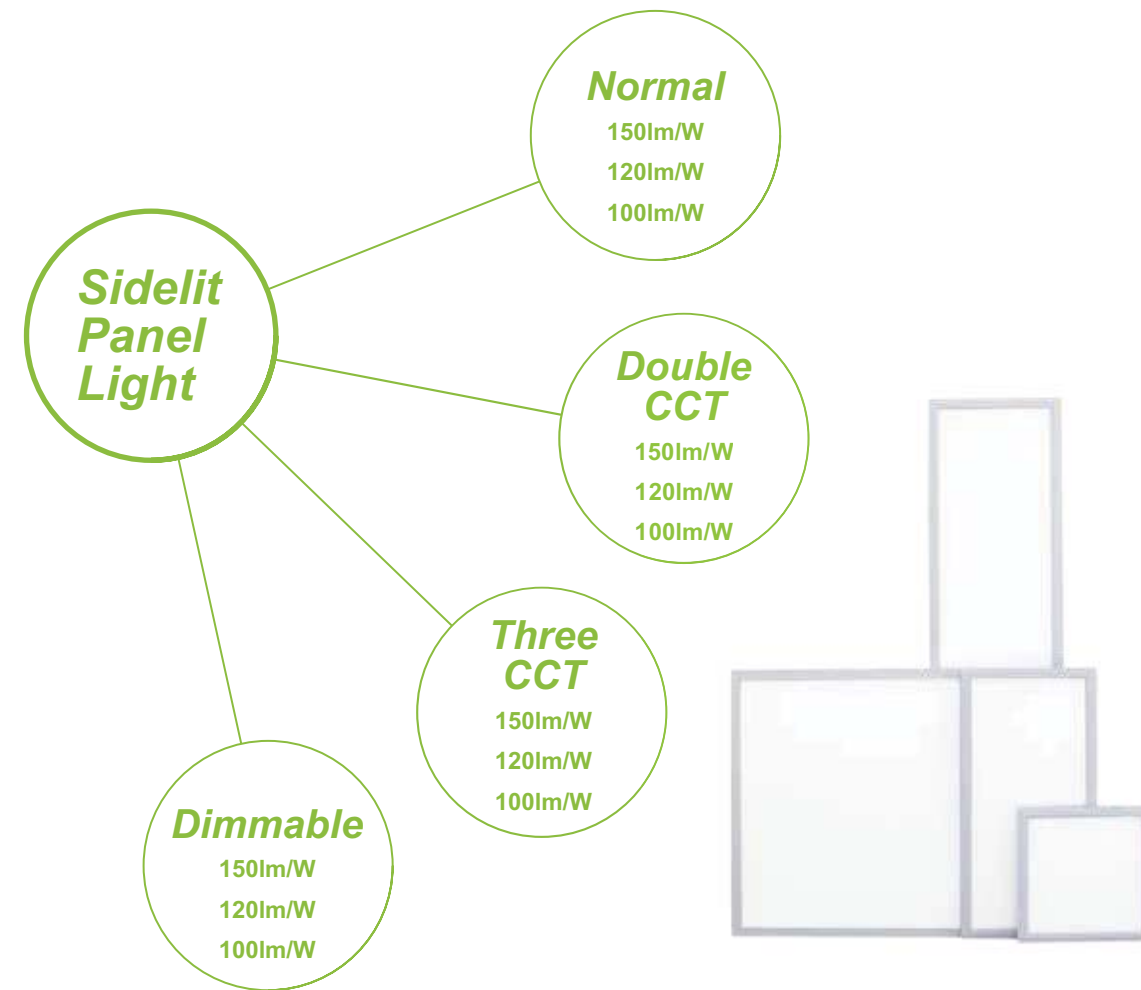
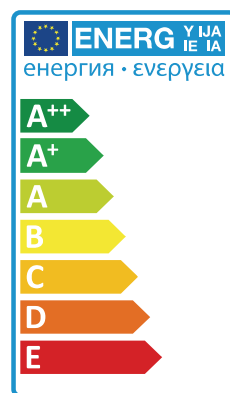
The Optical line quality is good, does not contain ultraviolet rays and heat radiation, low light decay, no stroboscopic, is a typical green environmental protection light source.

Safe to use and wide voltage range. Will not be easily damaged. Recyclable waste, no pollution.

High safety factor. Low power consumption and low heat generation. No safety hazards.

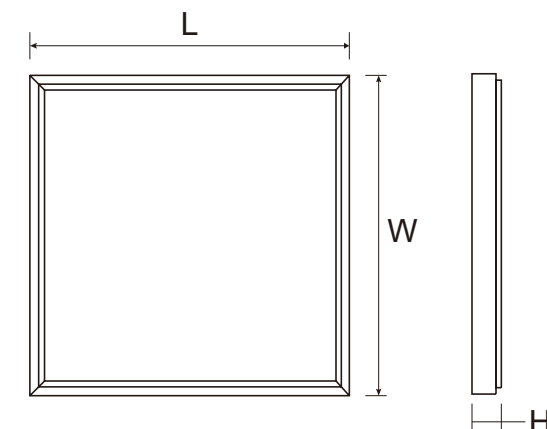
Stable performance, low maintenance rate, strong versatility, easy installation and space saving.

Product use environment: bathroom, sauna, underground garage, hospital, station and other humid environments.



Product Dimensions

| Model | L(mm) | W(mm) | H(mm) |
|------------------|-------|-------|-------|
| SL-PLE3012GH-X-Y | 295 | 1195 | 10 |
| SL-PLE6060GH-X-Y | 595 | 595 | 10 |
| SL-PLE6262GH-X-Y | 620 | 620 | 10 |
| SL-PLE6012GH-X-Y | 595 | 1195 | 10 |
| SL-PLE6012GH-X-Y | 595 | 1195 | 10 |



SL-PAEBCDFGH-X-Y

"SL" indicates Strong Luming Optoelectronics Co., Ltd

"P" indicates panel light.

"A" indicates out of the way of light: L=side-lit panel, B=backlit panel.

"E" indicates Certification Type: E=CE TVU.

"BCDF" indicates product dimensions: 6060=595*595mm, 3012=295*1195mm, 6262=620*620mm, 6012=595*1195mm.

"GH" indicates product power: 25=25W 36=36W 40=40W 50=50W

"X" indicates product CCT: A=2700K, N=3000K, L=4000K, C=5000K, K=5500K, W=6000K-6500K, M=Double CCT, H=Three CCT.

"Y" indicates the Luminance Efficacy: N= ≤100LM/W, H=110-120LM/W, T=140-150LM/W, P=170-180LM/W, S=190-200LM/W, R=220-230LM/W.

Sidelit Panel light

Normal 150lm/W, 120lm/W, 100lm/W

Product Specification

Input Voltage: AC200~240V
 Luminous Efficiency: 150lm/W, 120lm/W, 100lm/W
 Color temperature: 3000K~6500K
 Beam Angle:120°
 Operation Temperature: -20~40°C
 Storage Temperature :-20°C to +60°C
 LED Type: 4014LED
 Lifespan: >50,000hours
 Driver Type: Isolation Driver
 IP Code : IP20
 IK Code : IK01
 Operating Humidity : ≤85%



Product technical parameters & Packing diagram

150lm/W

X indicates product CCT: A=2700K, N=3000K, L=4000K, C=5000K, K=5500K, W=6000K-6500K, M=Double CCT, H=Three CCT.

| Model | Power | Luminous flux | Carton Box(mm) | N.W.(Kg)/pcs | Inner Box/pcs | PCS/Carton |
|------------------|-------|---------------|-----------------|--------------|---------------|------------|
| SL-PLE301225-X-T | 25W | 3750lux | L1285*W135*H400 | 2.3 | 15.0 | 6 |
| SL-PLE606025-X-T | 25W | 3750lux | L685*W135*H700 | 2.4 | 15.6 | 6 |
| SL-PLE626225-X-T | 25W | 3750lux | L710*W135*H725 | 2.6 | 16.8 | 6 |
| SL-PLE601240-X-T | 40W | 6000lux | L1285*W135*H700 | 4.8 | 21.2 | 4 |
| SL-PLE601250-X-T | 50W | 7500lux | L1285*W135*H700 | 4.8 | 21.2 | 4 |

120lm/W

X indicates product CCT: A=2700K, N=3000K, L=4000K, C=5000K, K=5500K, W=6000K-6500K, M=Double CCT, H=Three CCT.

| Model | Power | Luminous flux | Carton Box(mm) | N.W.(Kg)/pcs | Inner Box/pcs | PCS/Carton |
|------------------|-------|---------------|-----------------|--------------|---------------|------------|
| SL-PLE301236-X-H | 36W | 4320lux | L1285*W135*H400 | 2.3 | 15.0 | 6 |
| SL-PLE606036-X-H | 36W | 4320ux | L685*W135*H700 | 2.4 | 15.6 | 6 |
| SL-PLE626236-X-H | 36W | 4320lux | L710*W135*H725 | 2.6 | 16.8 | 6 |
| SL-PLE601264-X-H | 64W | 7680lux | L1285*W135*H700 | 4.8 | 21.2 | 4 |

100lm/W

X indicates product CCT: A=2700K, N=3000K, L=4000K, C=5000K, K=5500K, W=6000K-6500K, M=Double CCT, H=Three CCT.

| Model | Power | Luminous flux | Carton Box(mm) | N.W.(Kg)/pcs | Inner Box/pcs | PCS/Carton |
|------------------|-------|---------------|-----------------|--------------|---------------|------------|
| SL-PLE301236-X-N | 36W | 3600lux | L1285*W135*H400 | 2.3 | 15.0 | 6 |
| SL-PLE606036-X-N | 36W | 3600lux | L685*W135*H700 | 2.4 | 15.6 | 6 |
| SL-PLE626236-X-N | 36W | 3600lux | L710*W135*H725 | 2.6 | 16.8 | 6 |
| SL-PLE601264-X-N | 64W | 6400lux | L1285*W135*H700 | 4.8 | 21.2 | 4 |

Sidelit Panel light

Double CCT

Product Specification

Input Voltage: AC200~240V
 Luminous Efficiency: 150lm/W, 120lm/W, 100lm/W
 Color temperature: 3000K+4000K,4000K+6000K,3000K+6000K
 Beam Angle:120°
 Operation Temperature: -20~40°C
 Storage Temperature :-20°C to +60°C
 LED Type: 2835LED
 Lifespan: >50,000hours
 Driver Type: Isolation Driver
 Operating Humidity : ≤85%



Product technical parameters & Packing diagram

150lm/W

X indicates product CCT: A=2700K, N=3000K, L=4000K, C=5000K, K=5500K, W=6000K-6500K, M=Double CCT, H=Three CCT.

| Model | Power | Luminous flux | Carton Box(mm) | N.W.(Kg)/pcs | Inner Box/pcs | PCS/Carton |
|------------------|-------|---------------|-----------------|--------------|---------------|------------|
| SL-PLE301225-M-T | 25W | 3750lux | L1285*W135*H400 | 2.3 | 15.0 | 6 |
| SL-PLE606025-M-T | 25W | 3750lux | L685*W135*H700 | 2.4 | 15.6 | 6 |
| SL-PLE626225-M-T | 25W | 3750lux | L710*W135*H725 | 2.6 | 16.8 | 6 |
| SL-PLE601240-M-T | 40W | 6000lux | L1285*W135*H700 | 4.8 | 21.2 | 4 |

120lm/W

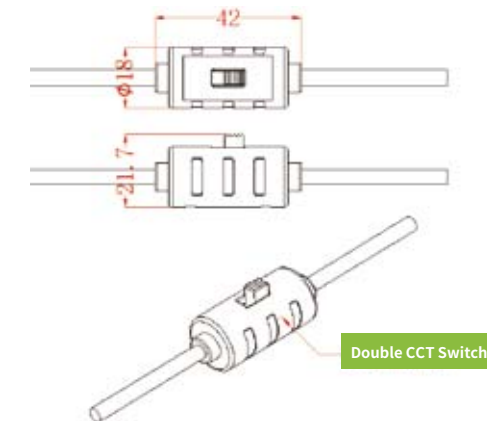
X indicates product CCT: A=2700K, N=3000K, L=4000K, C=5000K, K=5500K, W=6000K-6500K, M=Double CCT, H=Three CCT.

| Model | Power | Luminous flux | Carton Box(mm) | N.W.(Kg)/pcs | Inner Box/pcs | PCS/Carton |
|------------------|-------|---------------|-----------------|--------------|---------------|------------|
| SL-PLE301236-M-H | 36W | 4320lux | L1285*W135*H400 | 2.3 | 15.0 | 6 |
| SL-PLE606036-M-H | 36W | 4320ux | L685*W135*H700 | 2.4 | 15.6 | 6 |
| SL-PLE626236-M-H | 36W | 4320lux | L710*W135*H725 | 2.6 | 16.8 | 6 |
| SL-PLE601250-M-H | 50W | 6000lux | L1285*W135*H700 | 4.8 | 21.2 | 4 |

100lm/W

X indicates product CCT: A=2700K, N=3000K, L=4000K, C=5000K, K=5500K, W=6000K-6500K, M=Double CCT, H=Three CCT.

| Model | Power | Luminous flux | Carton Box(mm) | N.W.(Kg)/pcs | Inner Box/pcs | PCS/Carton |
|------------------|-------|---------------|-----------------|--------------|---------------|------------|
| SL-PLE301236-M-N | 36W | 3600lux | L1285*W135*H400 | 2.3 | 15.0 | 6 |
| SL-PLE606036-M-N | 36W | 3600lux | L685*W135*H700 | 2.4 | 15.6 | 6 |
| SL-PLE626236-M-N | 36W | 3600lux | L710*W135*H725 | 2.6 | 16.8 | 6 |
| SL-PLE601250-M-N | 50W | 5000lux | L1285*W135*H700 | 4.8 | 21.2 | 4 |



Sidelit Panel light

Three CCT

Product Specification

Input Voltage: AC200~240V
 Luminous Efficiency: 150lm/W 120lm/W 100lm/W
 Color temperature: 3000K ~6500K
 Beam Angle:120°
 Operation Temperature: -20~40°C
 Storage Temperature :-20°C to +60°C
 LED Type: 2835LED
 Lifespan: >50,000hours
 Driver Type: Isolation Driver
 Operating Humidity : ≤85%



Three CCT Switch

Product technical parameters & Packing diagram

150lm/W

X indicates product CCT: A=2700K, N=3000K, L=4000K, C=5000K, K=5500K, W=6000K-6500K, M=Double CCT, H=Three CCT.

| Model | Power | Luminous flux | Carton Box(mm) | N.W.(Kg)/pcs | Inner Box/pcs | PCS/Carton |
|------------------|-------|---------------|-----------------|--------------|---------------|------------|
| SL-PLE301225-H-T | 25W | 3750lux | L1285*W135*H400 | 2.3 | 15.0 | 6 |
| SL-PLE606025-H-T | 25W | 3750lux | L685*W135*H700 | 2.4 | 15.6 | 6 |
| SL-PLE626225-H-T | 25W | 3750lux | L710*W135*H725 | 2.6 | 16.8 | 6 |
| SL-PLE601240-H-T | 40W | 6000lux | L1285*W135*H700 | 4.8 | 21.2 | 4 |

120lm/W

X indicates product CCT: A=2700K, N=3000K, L=4000K, C=5000K, K=5500K, W=6000K-6500K, M=Double CCT, H=Three CCT.

| Model | Power | Luminous flux | Carton Box(mm) | N.W.(Kg)/pcs | Inner Box/pcs | PCS/Carton |
|------------------|-------|---------------|-----------------|--------------|---------------|------------|
| SL-PLE301236-H-H | 36W | 4320lux | L1285*W135*H400 | 2.3 | 15.0 | 6 |
| SL-PLE606036-H-H | 36W | 4320ux | L685*W135*H700 | 2.4 | 15.6 | 6 |
| SL-PLE626236-H-H | 36W | 4320lux | L710*W135*H725 | 2.6 | 16.8 | 6 |
| SL-PLE601250-H-H | 50W | 6000lux | L1285*W135*H700 | 4.8 | 21.2 | 4 |

100lm/W

X indicates product CCT: A=2700K, N=3000K, L=4000K, C=5000K, K=5500K, W=6000K-6500K, M=Double CCT, H=Three CCT.

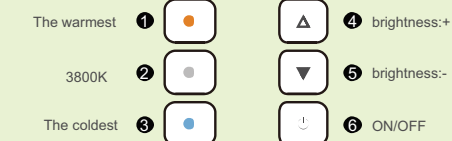
| Model | Power | Luminous flux | Carton Box(mm) | N.W.(Kg)/pcs | Inner Box/pcs | PCS/Carton |
|------------------|-------|---------------|-----------------|--------------|---------------|------------|
| SL-PLE301236-H-N | 36W | 3600lux | L1285*W135*H400 | 2.3 | 15.0 | 6 |
| SL-PLE606036-H-N | 36W | 3600lux | L685*W135*H700 | 2.4 | 15.6 | 6 |
| SL-PLE626236-H-N | 36W | 3600lux | L710*W135*H725 | 2.6 | 16.8 | 6 |
| SL-PLE601250-H-N | 50W | 5000lux | L1285*W135*H700 | 4.8 | 21.2 | 4 |

Sidelit Panel light

Dimmable(DALI)

Product Specification

Input Voltage: AC200~240
 Luminous Efficiency: 150lm/W 120lm/W 100lm/W
 Color temperature: 3000K ~6500K
 Beam Angle:120°
 Operation Temperature: -20~40°C
 Storage Temperature :-20°C to +60°C
 LED Type: 2835LED
 Lifespan: >50,000hours
 Driver Type: Isolation Driver
 Operating Humidity : ≤85%



Operating instructions:

Dali touch panel can realize the switch, dimming, color and temperature control of DT8 driver, and provide a coding switch to realize group address control and broadcast control.

- 1, short press to switch to warmest / long press to step cool
- 2, short press to switch to 3800k
- 3, short press to switch to coldest / long press to step cool
- 4, short press / long press to turn on
- 5, short press / long press to turn off
- 6, short press switch

Note: To provide better user experience, touch panel default gradient time is 0.7 seconds (fade time = 1), dimming rate is 32 steps / S (faderate8), (set synchronously when pressing power off)

150lm/W

X indicates product CCT: A=2700K, N=3000K, L=4000K, C=5000K, K=5500K, W=6000K-6500K, M=Double CCT, H=Three CCT.

| Model | Power | Luminous flux | Carton Box(mm) | N.W.(Kg)/pcs | Inner Box/pcs | PCS/Carton |
|------------------|-------|---------------|-----------------|--------------|---------------|------------|
| SL-PLE301225-J-T | 25W | 3750lux | L1285*W135*H400 | 2.3 | 15.0 | 6 |
| SL-PLE606025-J-T | 25W | 3750lux | L685*W135*H700 | 2.4 | 15.6 | 6 |
| SL-PLE626225-J-T | 25W | 3750lux | L710*W135*H725 | 2.6 | 16.8 | 6 |
| SL-PLE601240-J-T | 40W | 6000lux | L1285*W135*H700 | 4.8 | 21.2 | 4 |

120lm/W

X indicates product CCT: A=2700K, N=3000K, L=4000K, C=5000K, K=5500K, W=6000K-6500K, M=Double CCT, H=Three CCT.

| Model | Power | Luminous flux | Carton Box(mm) | N.W.(Kg)/pcs | Inner Box/pcs | PCS/Carton |
|------------------|-------|---------------|-----------------|--------------|---------------|------------|
| SL-PLE301236-J-H | 36W | 4320lux | L1285*W135*H400 | 2.3 | 15.0 | 6 |
| SL-PLE606036-J-H | 36W | 4320ux | L685*W135*H700 | 2.4 | 15.6 | 6 |
| SL-PLE626236-J-H | 36W | 4320lux | L710*W135*H725 | 2.6 | 16.8 | 6 |
| SL-PLE601250-J-H | 50W | 6000lux | L1285*W135*H700 | 4.8 | 21.2 | 4 |

100lm/W

X indicates product CCT: A=2700K, N=3000K, L=4000K, C=5000K, K=5500K, W=6000K-6500K, M=Double CCT, H=Three CCT.

| Model | Power | Luminous flux | Carton Box(mm) | N.W.(Kg)/pcs | Inner Box/pcs | PCS/Carton |
|------------------|-------|---------------|-----------------|--------------|---------------|------------|
| SL-PLE301236-J-N | 36W | 3600lux | L1285*W135*H400 | 2.3 | 15.0 | 6 |
| SL-PLE606036-J-N | 36W | 3600lux | L685*W135*H700 | 2.4 | 15.6 | 6 |
| SL-PLE626236-J-N | 36W | 3600lux | L710*W135*H725 | 2.6 | 16.8 | 6 |
| SL-PLE601250-J-N | 50W | 5000lux | L1285*W135*H700 | 4.8 | 21.2 | 4 |